


SBC SWe Lite Trial Offer for Microsoft Azure


In this section:


- [Evaluate the SBC SWe Lite in Microsoft Azure... With No Obligation To Buy!](#)
- [Ready to Start Your SBC SWe Lite Trial in Microsoft Azure?](#)
 - [Microsoft Azure SBC SWe Lite Trial-Related Deployment Sequence](#)
- [Do You Wish to Extend Your SBC SWe Lite Trial?](#)
- [Finished Your SBC SWe Lite Trial?](#)

Modified: for 8.0.2

 To open embedded URLs in a separate tab, **Ctrl+Left-click** or **Right-click** with your mouse and select **Open Link in New Tab/Open Link in New Window**.

 **Trials for On-Premises SBC SWe Lite Deployments**
The instructions on this page refer to SBC SWe Lite trials undertaken in a public cloud context, such as Microsoft Azure, as opposed to an on-premises deployment within a Virtual Machine Monitor (i.e. Microsoft Hyper-V/VMware ESXi/KVM). For an on-premises trial, refer to [SBC SWe Lite Trial Offer for On-Premises Deployment](#).

 **No support or Maintenance for Trial-enabled SBC SWe Lite Instances**
The SBC SWe Lite is not subject to any services, maintenance or support from Ribbon. Maintenance and support is available for an SBC SWe Lite deployed with one or more production licenses. Contact Ribbon Sales when you are ready to acquire a production license.

 **Not For Resale (NFR) Option Available**
Ribbon offers an NFR (Not For Resale) configuration of the SBC SWe Lite for additional features beyond those available with the trial license; contact [Ribbon sales](#) for additional information.


Evaluate the SBC SWe Lite in Microsoft Azure... With No Obligation To Buy!

Ribbon offers a no obligation trial license to potential customers/partners to evaluate the SBC SWe Lite. The trial license presents a set of complimentary features within the context of a public cloud (e.g. Microsoft Azure) SBC SWe Lite deployment. The no obligation trial license activates:

- 5 complimentary SIPSIP signaling sessions
- 3 media sessions with media manipulation (transcoding, encryption)
- 5 SIP device registrations.

Notes:

- The complimentary features are not intended for production (live customer) deployments, but are intended only for trial or demonstration purposes.
- The SBC SWe Lite running the Release 8.0 software or later offers the trial license-enabled features in two ways:
 - The **temporary** availability of the trial features upon SBC SWe Lite initial boot, under control of a 30 day time-limited embedded trial license.

 **Availability of 30 Day Embedded Trial License with Release 8.0**
The SBC SWe Lite running the Release 8.0 software offers the additional convenience of a 30 day time-limited embedded trial license:

- The feature set associated with this embedded time-limited license matches the feature set enabled by the SBC-SWELITE-TRIAL-CLOUD customer-orderable, **permanent** trial feature license;
- The potential customer/partner evaluating the SBC SWe Lite can choose to defer the application of the permanent

trial feature license for up to 30 days as they take advantage of the embedded trial license.

- The **permanent** availability of the trial features, through the application of the SBC-SWELITE-TRIAL-CLOUD SKU to the SBC SWe Lite. Refer to [Working with Licenses](#) for more information.

When you are ready to commit to the powerful and flexible production version of SBC SWe Lite, Ribbon recommends acquiring a new instance of the SBC SWe Lite, along with the desired feature licenses required to support a production deployment (i.e., live customer traffic). Contact [Ribbon sales](#) or an authorized Ribbon partner for more information.

Ready to Start Your SBC SWe Lite Trial in Microsoft Azure?

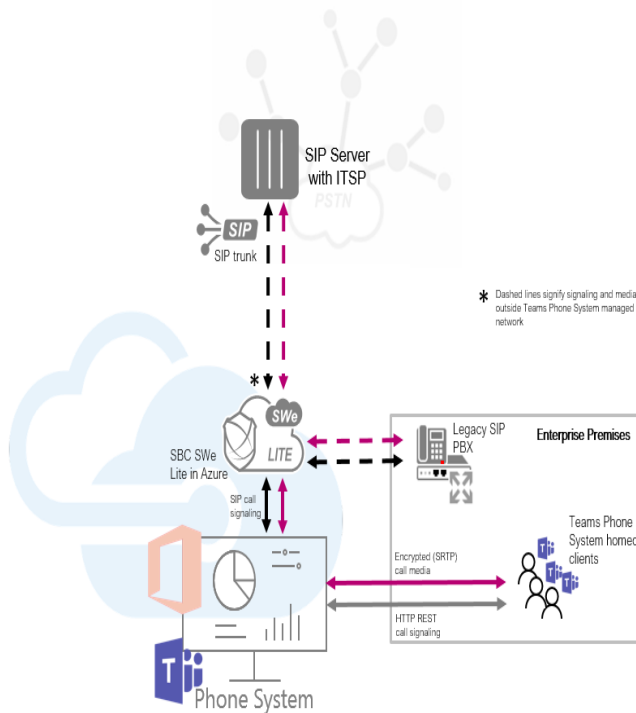
Microsoft Azure SBC SWe Lite Trial-Related Deployment Sequence

Table 1: Public Cloud (Microsoft Azure) SBC SWe Lite Trial Deployment Steps

Step	Process
1	Follow instructions to prepare Azure to host the SBC SWe Lite. NOTE: Ribbon recommends the use of the Azure Portal wizard, as opposed to PowerShell (for simplicity).
2	Follow Deploying an SBC SWe Lite via Azure Marketplace up to and including initial setup to deploy the SBC SWe Lite from the Azure Marketplace. Do not execute any instructions beyond initial setup, such as those related to obtaining licenses. NOTE: Ribbon recommends the use of the Azure Portal wizard, as opposed to PowerShell, for simplicity.

- 3 After initial setup and upon first login, the Easy Configuration Wizard is displayed. Ribbon recommends for trial purposes to use the wizard for a sample call scenario, such as Microsoft Teams Direct Routing. To enable and place a test call, follow the instructions, here: [Best Practice - Running Microsoft Teams Direct Routing when SBC SWe Lite is Hosted in Azure](#).

Figure 1: Teams Direct Routing with SBC Based in Azure



Do You Wish to Extend Your SBC SWe Lite Trial?

The SBC SWe Lite Release 8.0 software offers a 30 day time-limited embedded trial license, as shown below. Ribbon also offers the option to extend the availability of the trial features indefinitely.

1. Access the [Current Licenses](#) screen to verify the availability of the 30 day time-limited trial license-enabled feature set. If the time-limited trial feature set is available, take note of expiration date (under the **Feature Expiration** column). Prior to expiration, plan to obtain and apply a permanent trial license (the SBC-SWELITE-TRIAL-CLOUD SKU). Refer to [Obtaining and Installing a Permanent SWe Lite Trial License](#).

Figure 2: Active Features via 30-Day Time-Limited Embedded Trial License

Current Licenses July 30, 2019 15:40:15

Historical Usage | Download License File

Feature Licenses

Total 9 Feature License Rows

Feature	Licensed	Total Licenses	Available Licenses	Feature Expiration
SIP Signaling Sessions		5	5	August 25, 2019 18:06:08
High Session Capacity Enabled		Not Licensed	Not Licensed	Not Applicable
Enhanced Media Sessions with Transcoding		3	3	August 25, 2019 18:06:08
Enhanced Media Sessions without Transcoding		Not Licensed	Not Licensed	Not Applicable
Video Sessions		Not Licensed	Not Licensed	Not Applicable
SIP Registrations		5	5	August 25, 2019 18:06:08
Forking		Not Licensed	Not Licensed	Not Applicable
BroadSoft Subscriber Data		Not Licensed	Not Licensed	Not Applicable
AMR-WB		Not Licensed	Not Licensed	Not Applicable

The active features are enabled through a 30 day time-limited embedded trial license; the start of the 30 days was upon the initial startup. Upon expiration of the 30 days, you may extend the trial features with no obligation through the application of a permanent trial license or deploy a production license to activate features in support of live customer traffic. Please refer to product documentation for further instructions regarding license acquisition.

- If the **Current Licenses** screen is unavailable (see screen below) and you have not completed your evaluation of the SBC SWe Lite in Azure, generate and apply a new permanent trial license (the SBC-SWELITE-TRIAL-CLOUD SKU). Refer to [Obtaining and Installing a Permanent SWe Lite Trial License](#).

Figure 3: Expired 30-Day Time-Limited Embedded Trial License Features

Current Licenses March 30, 2019 11:57:03

No license activated features are enabled. Please acquire and apply a license to activate any required feature(s).

Search...

Expand All | Collapse All | Reload

- Call Routing
 - Transformation
 - PassThrough Untouched
 - Time of Day Table
 - Time of Day Table #1
 - Call Routing Table
 - Default Route Table
 - toEgressSG
 - Call Actions
- Signaling Groups
 - (SIP) IngressSG
 - (SIP) EgressSG
- Networking Interfaces
 - Logical Interfaces
- System
 - Node-Level Settings
 - Licensing
 - Current Licenses
 - Install New License
 - Software Management
- Auth and Directory Services
- Protocols

Finished Your SBC SWe Lite Trial?

Ribbon welcomes feedback about your Azure-based SBC SWe Lite trial experience. Contact Ribbon sales or an authorized Ribbon partner at <https://ribboncommunications.com/company/get-help/how-buy>.