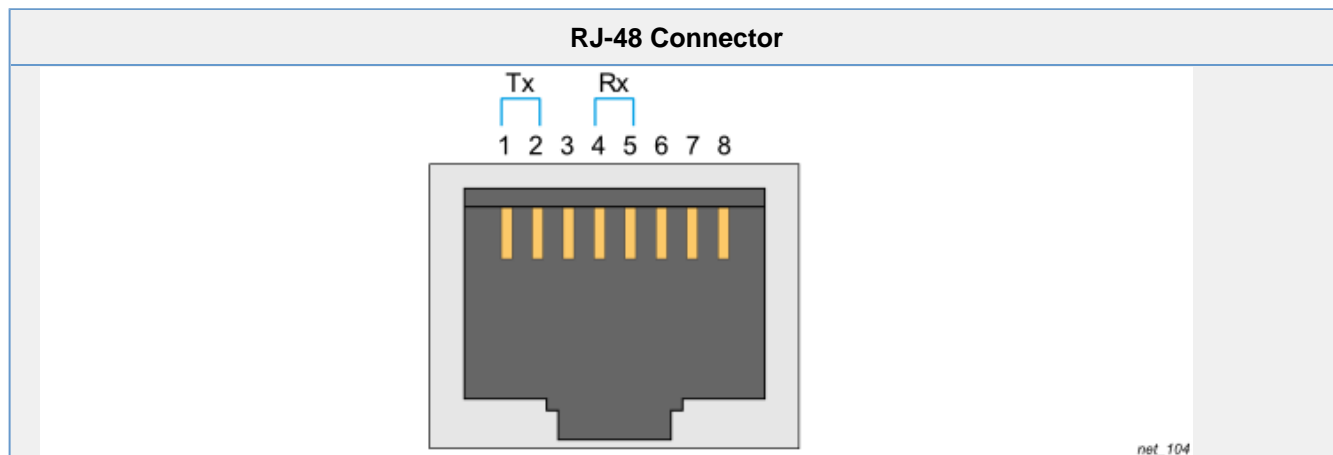


STIX-1T1E1 DSP

The System Trunk Interface Extender module (STIX) module is a T1/E1 interface card that supports one T1/E1 port.



T1/E1 Connector



T1/E1 Connector Pinouts

Pin Number	Description
Pin 1	Receive Ring
Pin 2	Receive Tip
Pin 3	no connection
Pin 4	Transmit Ring
Pin 5	Transmit Tip
Pin 6	no connection
Pin 7	no connection
Pin 8	no connection