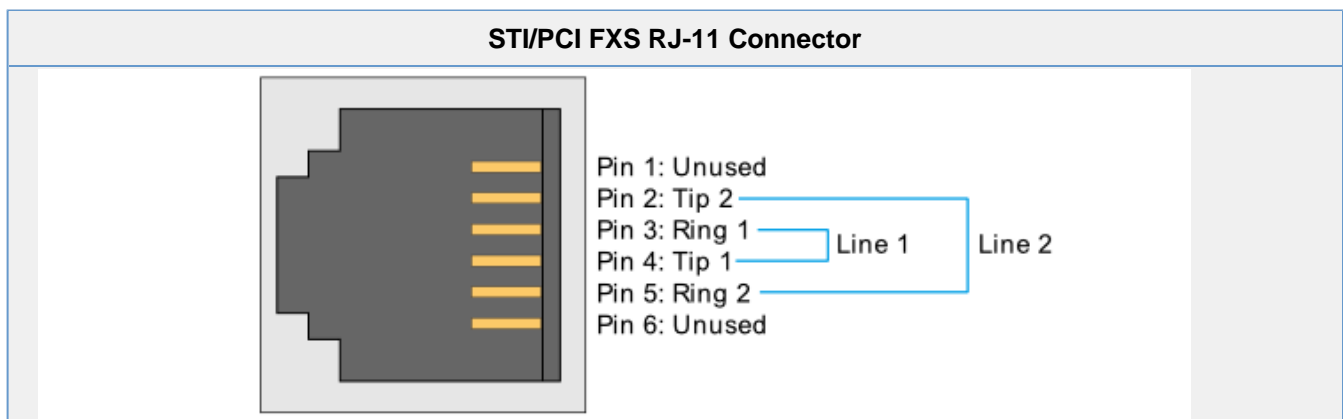
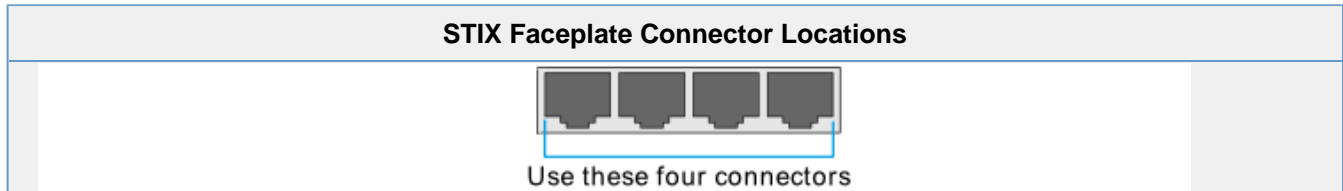


STIX-8FXS DSP

The System Trunk Interface eXtender (STIX) FXS module is an FXS interface card that supports up to eight FXS channels. Each port provides 2 REN (Ring Equivalence Number) channels per line.

The 8-channel FXS interface card is for the connection of on-premises analog telephony devices only. It shall not be connected to external exposed line plant and telecommunications networks.



STIX-8FXS/DSP Connector Pinouts

Line	Pin Numbers
Line 1	4 and 3
Line 2	2 and 5